

## X92DF-2.0

## IMO Tier III in gas mode

<b>Cylinder bore:</b>	920mm
<b>Piston stroke:</b>	3468mm
<b>Speed:</b>	70-80rpm
<b>Mean effective pressure at R1:</b>	17.3bar
<b>Stroke/bore ratio:</b>	3.77

### Rated power, principal dimensions and weights

Cyl.	Output in kW at				Length A mm	Dry mass tonnes
	80rpm		70rpm			
	R1	R2	R3	R4		
6	31920	26580	27930	23250	11755	1120
7	37240	31010	32585	27125	13345	1260
8	42560	35440	37240	31000	14935	1380
9	47880	39870	41895	34875	17960	1630
10	53200	44300	46550	38750	19550	1790
11	58520	48730	51205	42625	21215	1960
12	63840	53160	55860	46500	22875	2140

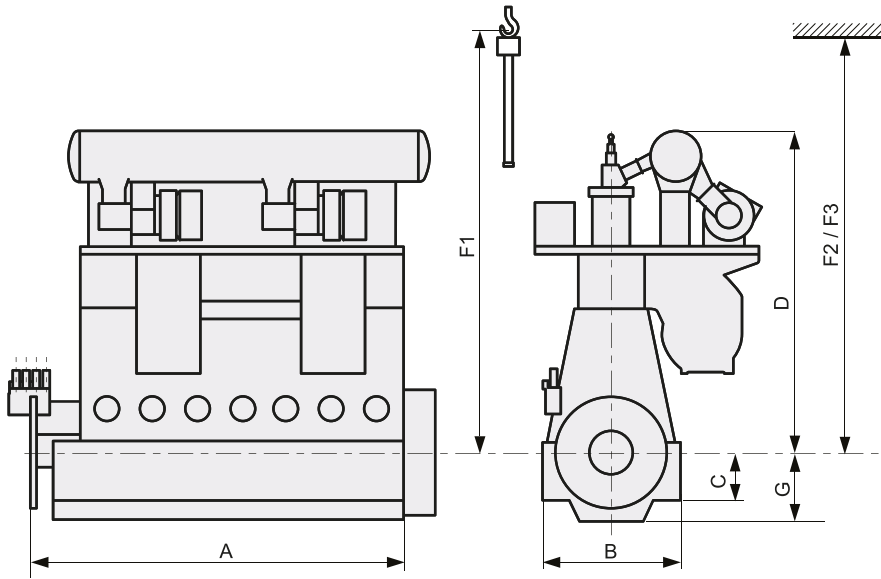
Dimensions mm	B	C	D
	5550	1900	13140
	F1	F2	F3
15520	15530	14260	2970

### Brake specific consumption in gas mode

Rating point		R1	R2	R3	R4
BSEC (energy)	kJ/kWh	6760	6512	6858	6615
BSGC (gas)	g/kWh	134.6	129.6	136.6	131.6
BSPC (pilot fuel)	g/kWh	0.7	0.8	0.7	0.8

### Brake specific fuel consumption in diesel mode

Rating point		R1	R2	R3	R4
BSFC (diesel Tier II)	kJ/kWh	174.2	168.2	176.2	172.2



# Engine Definitions and Notes

## ISO Standard (ISO 3046-1) reference conditions

1.0 bar Total barometric pressure at R1

25°C Suction air temperature

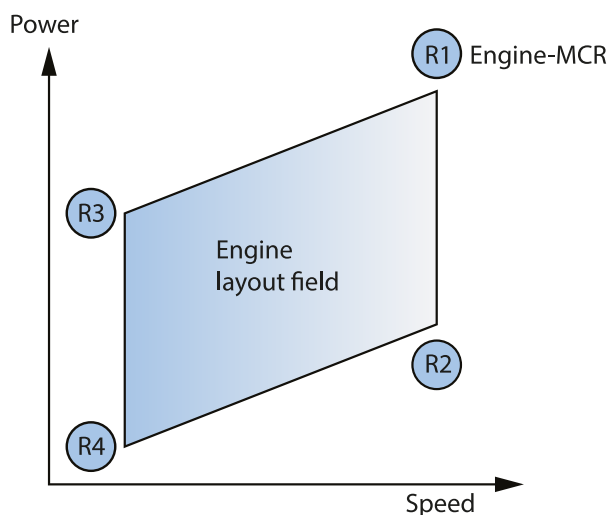
30% Relative humidity

25°C Cooling water temperature before engine

## Rating points

The engine layout fields for WinGD low-speed engines are defined by the power/speed rating points R1, R2, R3 and R4 (see diagram below).

R1, or instead if applicable, is the nominal maximum continuous rating (MCR).



Any power and speed within the respective engine layout field may be selected as the Contracted-MCR (CMCR) point for an engine.

## Dimensions and weights

- All dimensions and weights are not binding. For detailed information and updates, please visit: [www.wingd.com/en/engines/engine-types](http://www.wingd.com/en/engines/engine-types)

A Engine length from the coupling flange to the end of the bedplate

A\* Engine length from the TC aft end to the end of the bedplate

B Width of the engine seating

C Dist. from the centre of the crankshaft to the underside of the foot flange

D Dist. from the centre of the crankshaft to the highest point of the engine

F1 Min. height for vertical removal of the piston

F2 Min. height for vertical removal of the piston with double-jib crane

F3 Min. height for tilted removal of the piston with double-jib crane

G Distance from the centre of the crankshaft to the lowest point of the engine

- The engine weight is a net value and excludes any liquids.

## Fuel/energy consumption

All brake specific fuel consumptions (BSFC) and brake specific pilot fuel consumptions (BSPC) are quoted for fuel of lower calorific value 42.7 MJ/kg.

Brake specific gas consumptions (BSGC) are quoted for gas of lower calorific value 50.0 MJ/kg.

Brake specific energy consumptions (BSEC) for dual-fuel engines are based on energy delivered to the engine as gas and liquid fuel for one kilowatt hour mechanical power output.

For all WinGD low-speed diesel and dual-fuel engines stepwise tolerances have been introduced for the brake specific fuel and energy consumption (BSFC/BSEC) guarantee, referring to ISO standard reference conditions (ISO 15550 and 3046):

- +5% tolerance for 100% to 85% engine power
- +6% tolerance for <85% to 65% engine power
- +7% tolerance for <65% to 50% engine power

The BSFC/BSEC guarantee is possible at up to three power points between 50–100%.

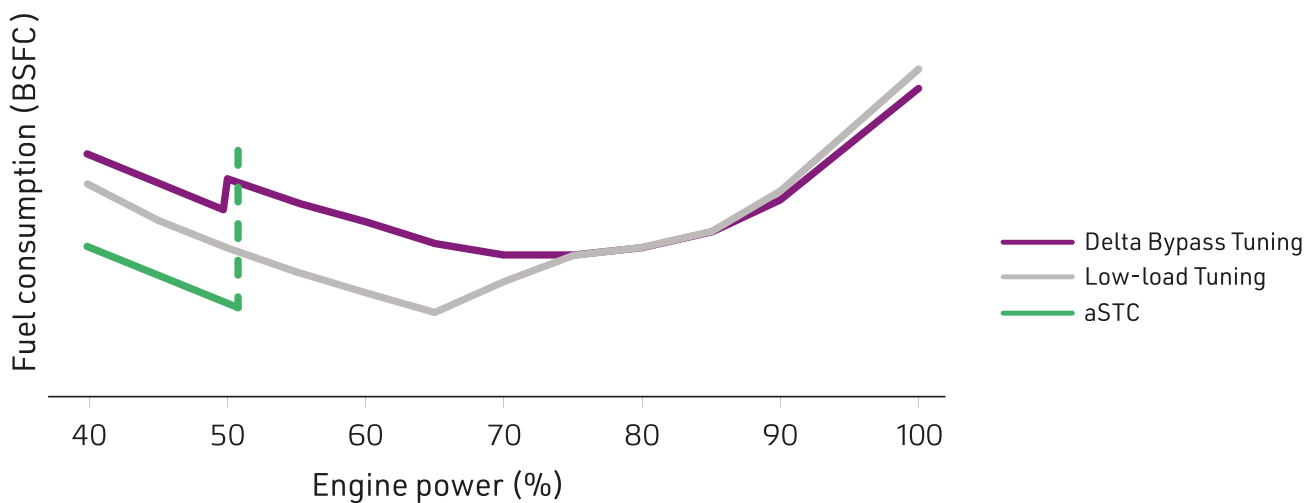
## Available engine tunings

Delta Bypass Tuning and Low-load Tuning are available for certain WinGD low-speed diesel engines to provide optimum fuel consumption for different engine loads. Delta Bypass Tuning and Low-load Tuning focuses on reducing fuel consumption in the operating range below 90% or 75% engine power.

The advanced technology of Steam Production Control (SPC) can be added to the Low-load and Delta Bypass Tuning to increase the steam production, while keeping the overall fuel consumption at a minimum.

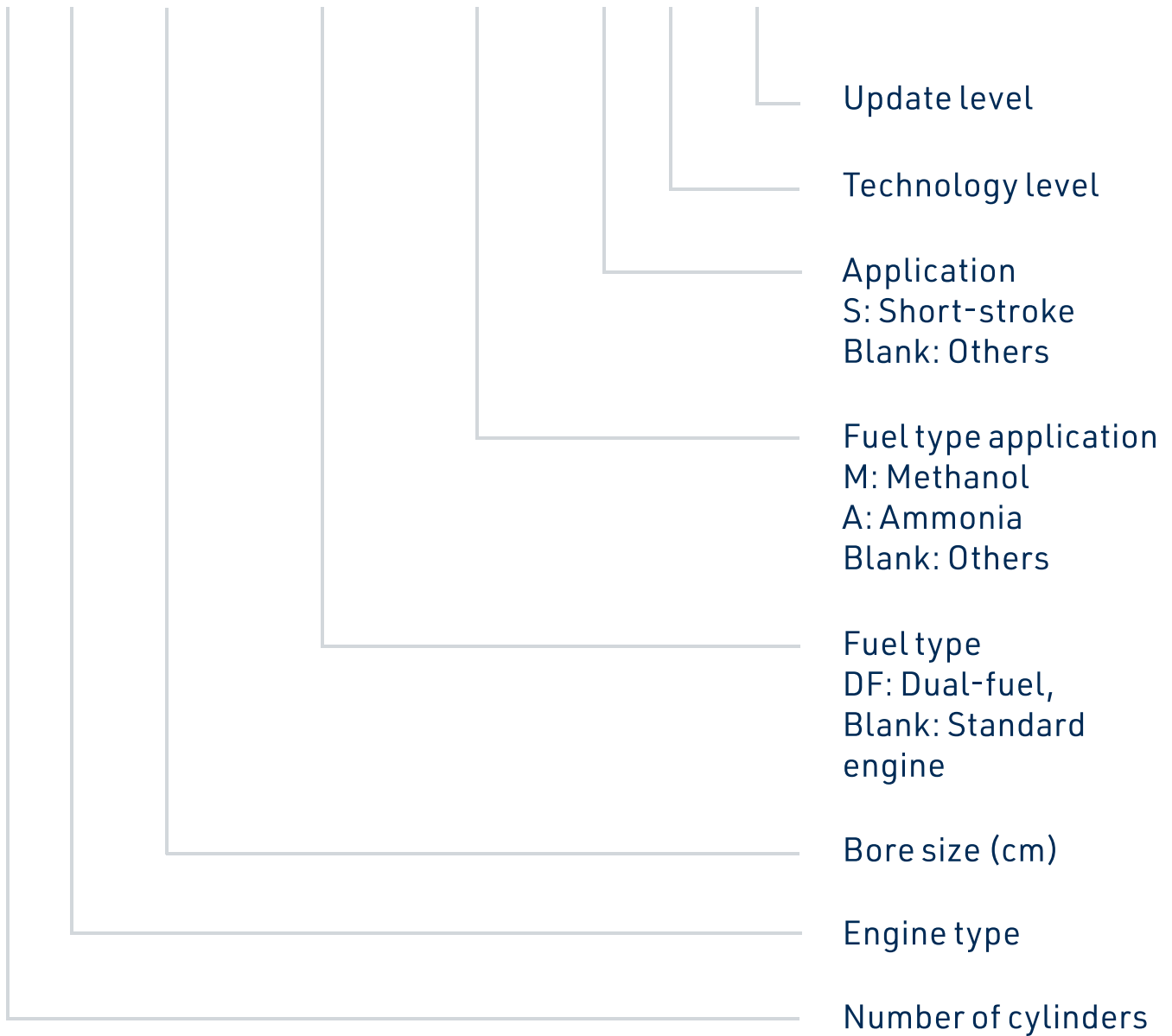
Dual tuning is available on request and in cooperation with classification societies.

Automated Sequential Turbocharging (aSTC) is available as an option for X82-2.0 and X92-B engines with multi-turbocharger configurations. aSTC significantly reduces the engine's consumption at low loads.



## Engine Designation

# 6X52DF-A-S1.0



Example engine designation 6X52DF-A-S1.0 representing a WinGD 6 cylinder, short-stroke engine for dual-fuel operation with ammonia and diesel.

All data provided in this booklet is for information purposes only, explicitly non-binding and subject to change without notice. The General Technical Data (GTD) program provides up-to-date information on WinGD low-speed engines.

When referring to specific engines, the data may be subject to changes. These will be assessed individually according to the particular characteristic of each project.